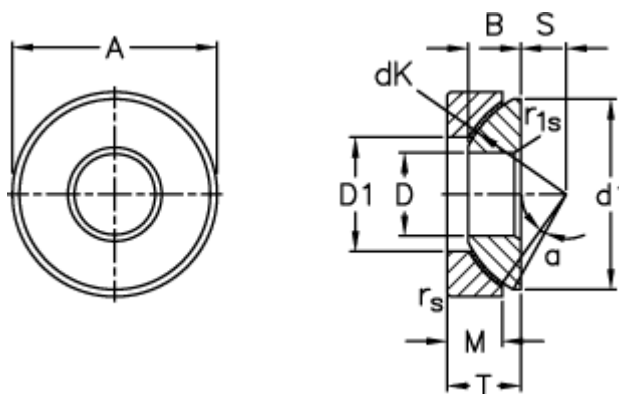


Article number: 03512045

Description: Fluro Rod end GE 45AW

Measures



A	= 120 0 -0,015	rs, r1s min	= 1
B	= 31	S	= 27.5
D	= 45 0 -0,012	Static axial load C0 (kN)	= 1940
d1 max	= 110	T	= 36,5 +0,25 -0,40
D1 min	= 67	Tilt angle	= 6
dK	= 128	Weight	= 2240
Dynamic axial load C (kN)	= 970		
M	= 25.5		